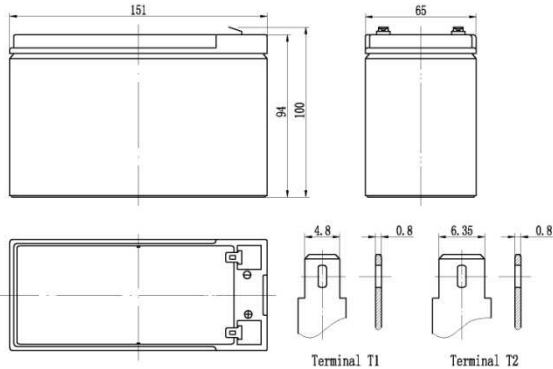


# RPower GiV 1270 V (12V 7.0Ah Battery)

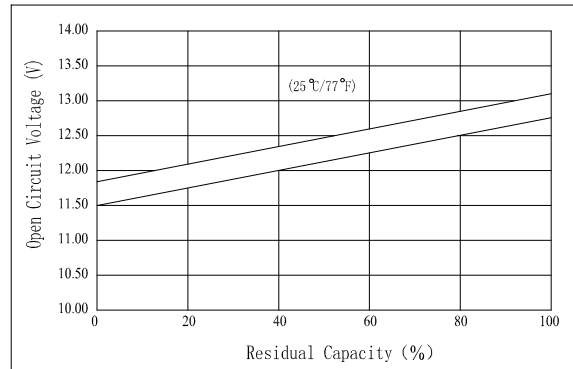
Floating Life at 20°C designed for 8 years

VdS approval No. G111055

## Dimensions



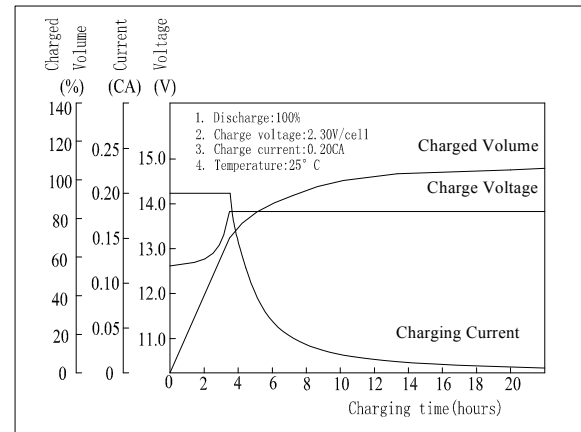
## The Relationship for Open Circuit Voltage and Residual Capacity (25°C)



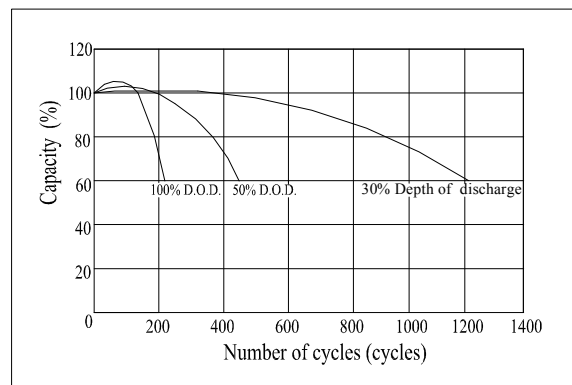
## Specifications

Nominal Voltage	12V	
Capacity (20hr)	7.0Ah	
Dimensions	Length	151mm (5.95inch)
	Width	65mm (2.56inch)
	Height	94mm (3.70inch)
	Total Height	99.5mm (3.91inch)
Approx. Weight	2.30kg (5.07lbs)	
Maximum charging current	2.1A	
Maximum discharge current	105A (5sec.)	
Internal resistance (Fully charged, 25°C)	Approx. 23mΩ	
Capacity affected by temperature (20hr)	40°C	102%
	25°C	100%
	0°C	85%
	-15°C	65%
Self-discharge (25°C)	3 month	Remaining Capacity: 91%
	6 month	Remaining Capacity: 82%
	12 month	Remaining Capacity: 65%
Nominal operating temperature	25°C ±3°C (77°F±5°F)	
Operating temperature range	-15°C ~ 50°C (5°F ~ 122°F)	
Float charging voltage (25°C)	13.65 to 13.80V	
Cyclic charging voltage (25°C)	14.50 to 14.90V	
Terminal material	Copper	

## Charging Characteristics (25°C)



## Cycle Life (25°C)



## Constant Current Discharge Characteristics (Ampere / Battery, 25°C)

F.V/TIME	5min	10min	15min	30min	1h	3h	5h	10h	20h
9.60V	27,0	18,4	13,6	8,05	4,40	1,97	1,30	0,704	0,37
10.2V	22,2	15,7	11,9	7,23	4,26	1,83	1,22	0,682	0,36
10.8V	17,9	13,1	10,2	6,69	3,94	1,75	1,16	0,651	0,35

## Constant Power Discharge Characteristics (Watt / Battery, 25°C)

F.V/TIME	5min	10min	15min	30min	1h	3h	5h	10h	20h
9.60V	268,8	187,2	142,8	88,2	49,56	22,56	15,00	8,30	4,33
10.2V	229,2	165,0	128,4	80,4	48,60	21,24	14,22	8,07	4,26
10.8V	194,4	143,4	113,4	75,6	45,42	20,40	13,56	7,72	4,15