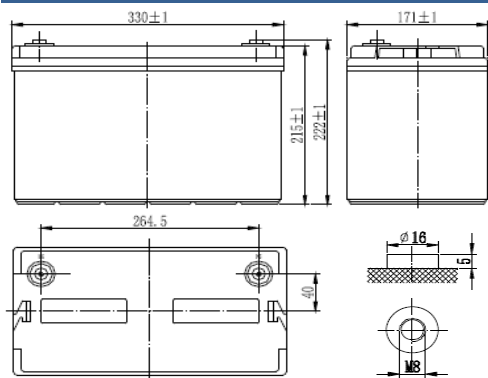


RPower OGiV121000LP (12V 100Ah AGM Battery)

Floating Life at 20°C designed for 10-12 years

EAN: 4260349823432

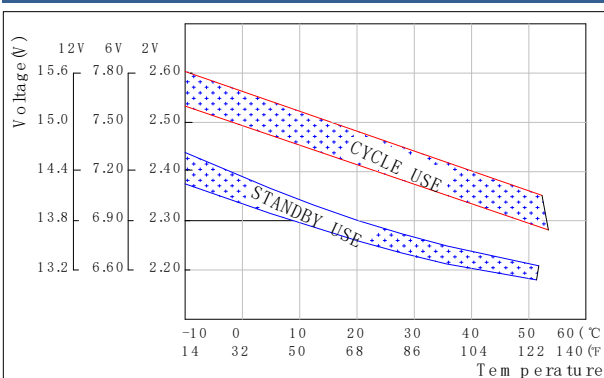
Dimensions



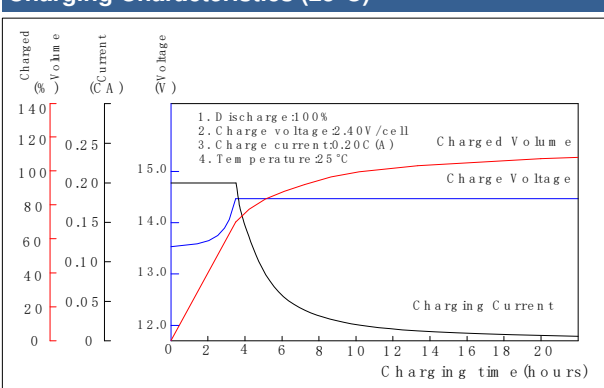
Specifications

| | | |
|---|--------------|-------------------------|
| Nominal Voltage | | 12V |
| Capacity (10hr@25°C@1.80V/C) | | 100Ah |
| Dimensions | Length | 330mm (13.0inch) |
| | Width | 171mm (6.73inch) |
| | Height | 215mm (8.46inch) |
| | Total Height | 222mm (8.74inch) |
| Approx. Weight | | 32.00kg (70.55lbs) |
| Maximum charging current | | 30.0A |
| Maximum discharge current | | 900A (5sec.) |
| Internal resistance | | Approx. 4.5mΩ |
| Capacity affected by temperature (20hr) | 40°C | 103% |
| | 25°C | 100% |
| | 0°C | 86% |
| | -15°C | 65% |
| Self-discharge (25°C) | 3 month | Remaining Capacity: 91% |
| | 6 month | Remaining Capacity: 82% |
| | 12 month | Remaining Capacity: 65% |
| Nominal operating temperature | | 25°C ±3°C (77°F±5°F) |
| Operating temperature range | | -20°C~55°C (-4°F~131°F) |
| Float charging voltage (25°C) | | 13.65 to 13.80V |
| Cyclic charging voltage (25°C) | | 14.40 to 15.00V |
| Terminal material | | Copper |

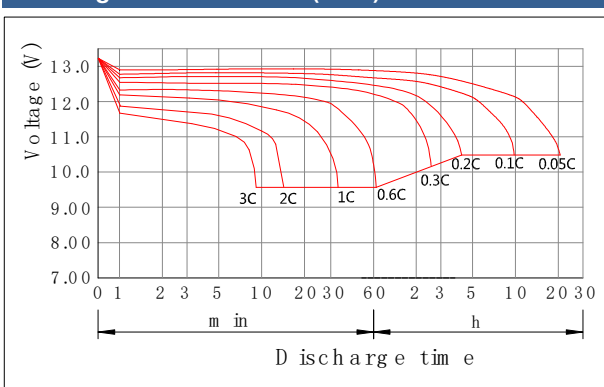
The Relationship for Charging Voltage and Temperature



Charging Characteristics (25°C)



Discharge Characteristics (25°C)



Constant Current Discharge Characteristics (Ampere / Battery, 25°C)

| FV / TIME | 5min | 10min | 15min | 20min | 30min | 45min | 1h | 2h | 3h | 4h | 5h | 6h | 8h | 10h | 20h |
|-----------|------|--------|--------|--------|--------|-------|-------|-------|-------|-------|-------|-------|-------|-------|------|
| 10.98V | -- | 167,81 | 145,50 | 126,10 | 91,67 | 67,90 | 58,88 | 32,30 | 23,38 | 19,59 | 16,68 | 14,36 | 11,45 | 9,70 | 5,14 |
| 10.80V | -- | 173,00 | 150,00 | 130,00 | 94,50 | 70,00 | 60,70 | 33,30 | 24,10 | 20,20 | 17,20 | 14,80 | 11,80 | 10,00 | 5,30 |
| 10.50V | -- | 188,00 | 161,00 | 135,00 | 96,50 | 71,30 | 61,60 | 35,30 | 24,80 | 21,00 | 17,60 | 15,10 | 12,10 | 10,10 | 5,35 |
| 10.20V | -- | 202,00 | 173,00 | 139,00 | 100,00 | 73,00 | 62,70 | 35,80 | 25,40 | 21,50 | 18,00 | 15,50 | 12,40 | 10,20 | 5,40 |
| 9.90V | -- | 218,00 | 182,00 | 143,00 | 104,00 | 78,70 | 63,70 | 36,40 | 25,90 | 21,80 | 18,30 | 15,70 | 12,50 | 10,30 | 5,43 |
| 9.60V | -- | 233,00 | 192,00 | 148,00 | 107,00 | 80,50 | 64,80 | 37,50 | 26,50 | 22,40 | 18,60 | 16,30 | 12,90 | 10,40 | 5,46 |

Constant Power Discharge Characteristics (Watt / Battery, 25°C)

| FV / TIME | 5min | 10min | 15min | 20min | 30min | 45min | 1h | 2h | 3h | 4h | 5h | 6h | 8h | 10h | 20h |
|-----------|------|---------|---------|---------|---------|--------|--------|--------|--------|--------|--------|--------|--------|--------|-------|
| 10.98V | -- | 1885,68 | 1711,08 | 1309,50 | 1035,96 | 779,88 | 686,76 | 395,76 | 282,27 | 229,31 | 201,95 | 168,78 | 132,70 | 111,16 | 58,78 |
| 10.80V | -- | 1944,00 | 1764,00 | 1350,00 | 1068,00 | 804,00 | 708,00 | 408,00 | 291,00 | 236,40 | 208,20 | 174,00 | 136,80 | 114,60 | 60,60 |
| 10.50V | -- | 2076,00 | 1830,00 | 1416,00 | 1104,00 | 822,00 | 732,00 | 411,60 | 296,40 | 239,40 | 210,60 | 176,40 | 139,80 | 117,60 | 61,80 |
| 10.20V | -- | 2190,00 | 1896,00 | 1446,00 | 1140,00 | 840,00 | 756,00 | 419,40 | 300,00 | 246,00 | 211,80 | 180,00 | 142,80 | 120,00 | 62,40 |
| 9.90V | -- | 2316,00 | 1962,00 | 1512,00 | 1176,00 | 858,00 | 762,00 | 427,20 | 303,60 | 247,80 | 213,00 | 181,80 | 143,40 | 120,60 | 63,00 |
| 9.60V | -- | 2436,00 | 1992,00 | 1560,00 | 1212,00 | 882,00 | 774,00 | 435,00 | 306,60 | 253,20 | 214,20 | 183,60 | 145,20 | 121,80 | 63,60 |